



Besam Automatic Door System Slim

Slim

Slim is the basic version of the automatic door system Besam Slim, which also comprises; Slim Telescopic, Slim Break-out and Slim Reverse Break-out. Besam Slim gives a decorative and functional entrance framed all round with slimline aluminium profiles. Besam Slim consists of doors, operator and safety units. Most models can be supplied with or without side screens and overlights. The system can be supplied for beam- or wall-mounting and is available as bi-parting and single-sliding.

All models are tailored to indi-

vidual customer requirements. The integral aluminium profiles are as standard clear anodized and glazed with 8 mm laminated glass.

Slim Telescopic

Slim Telescopic is the natural choice in narrow passage ways. It maximises the opening width and provides an impressive solution when space is limited.

Slim Break-out

Slim Break-out enables the doors and side screens to be swung outwards in an emergency situation by applying pressure. This allows exit

through the entire door and side screen space.

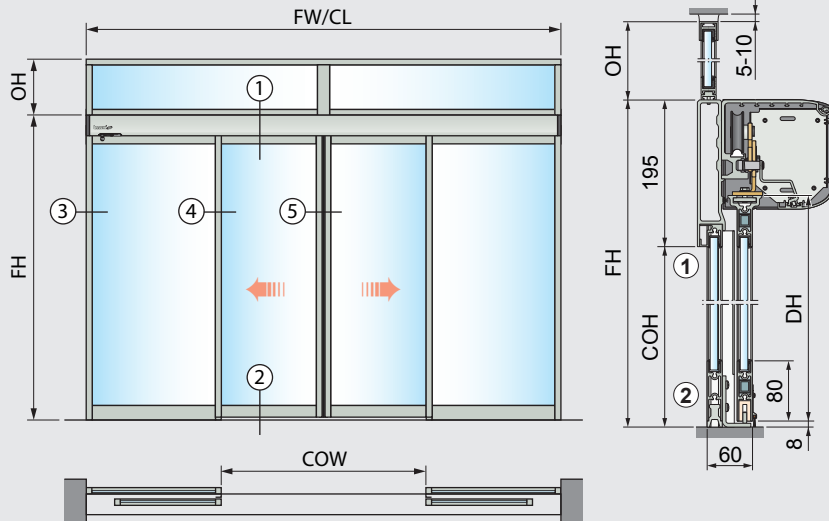
Slim Reverse Break-out

Slim Reverse Break-out enables the doors to be swung inwards in an emergency situation by applying pressure. This allows exit through the entire door space.

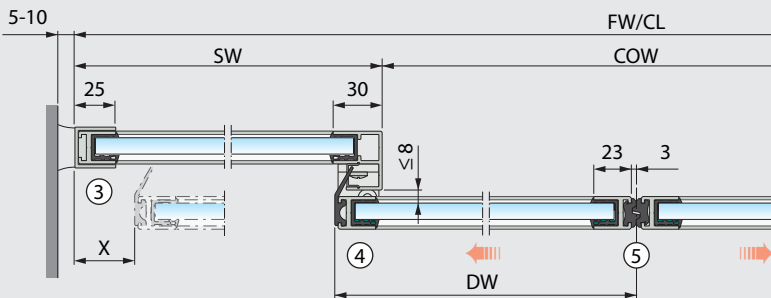
Safety features

Besam Slim together with a Besam presence detection system will further improve the safety. People or objects in the doorway are detected and the door is then prevented from closing until it is safe to do so.

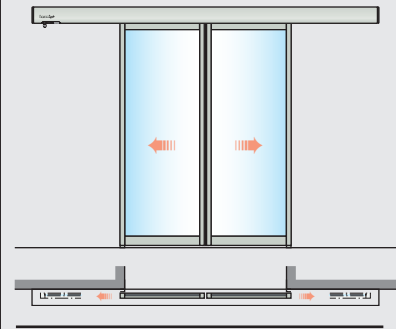
Bi-parting with side screens and overlight, beam mounted



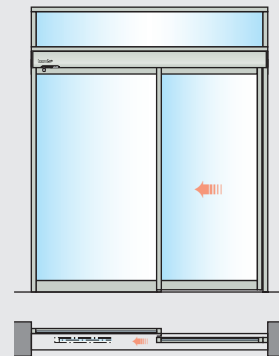
- FW = Frame width
- FH = Frame height
- OH = Overlight height
- CL = Cover length
- COW = Clear opening width
- COH = Clear opening height
- DW = Door leaf width
- DH = Door leaf height
- SW = Side screen width
- X = Safety distance



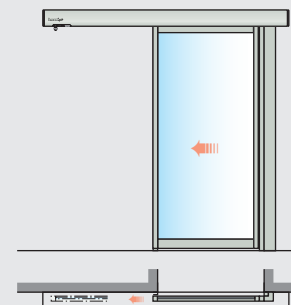
Bi-parting without side screens



Single sliding with side screen and overlight (left opening shown)



Single sliding without side screen (left opening shown)



Technical Data Besam Slim

The below measures are formally certified by third party laboratories. For special applications, other sizes can be delivered on request.

Glass Single sliding

mm	FHmin	FHmax	FWmin	FWmax
8	1900	3000	900	1500
10	1900	3000	900	1500
12	1900	3000	900	1500

Single sliding with side screen wall mounted

mm	FHmin	FHmax	FWmin	FWmax
8	1950	3000	1800	3000
10	1950	3000	1800	3000
12	1950	3000	1800	3000

Single sliding with side screen beam mounted

mm	FHmin	FHmax	FWmin	FWmax
8	2100	3150	1800	3000
10	2100	3150	1800	3000
12	2100	3150	1800	3000

Glass Bi-parting

mm	FHmin	FHmax	FWmin	FWmax
8	1900	3000	900	3000
10	1900	3000	900	2580
12	1900	3000	900	2180

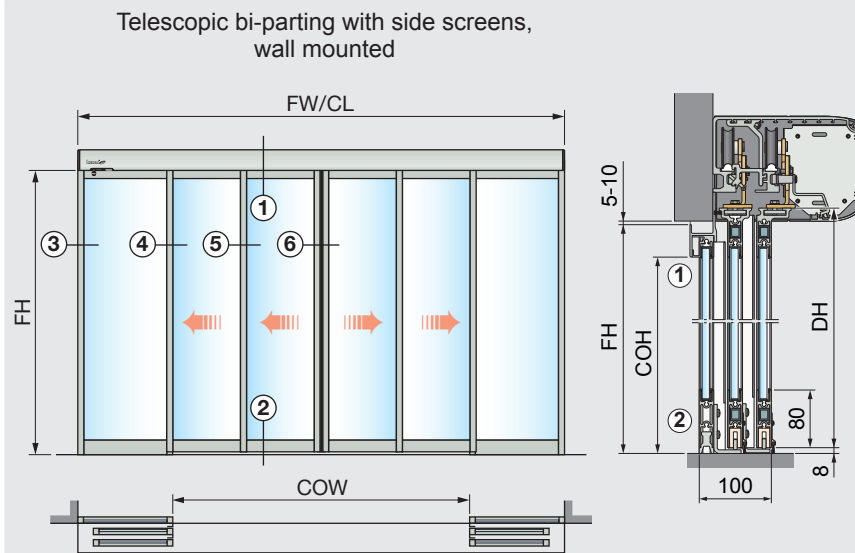
Bi-parting with side screens wall mounted

mm	FHmin	FHmax	FWmin	FWmax
8	1950	3000	1800	6000
10	1950	3000	1800	5300
12	1950	3000	1800	4500

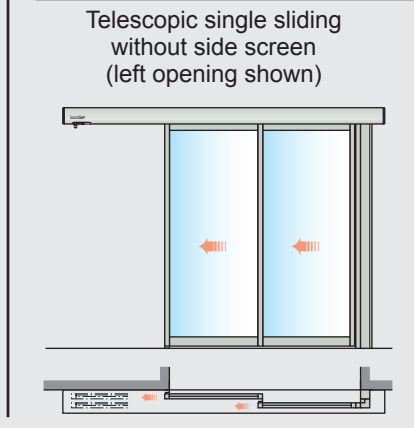
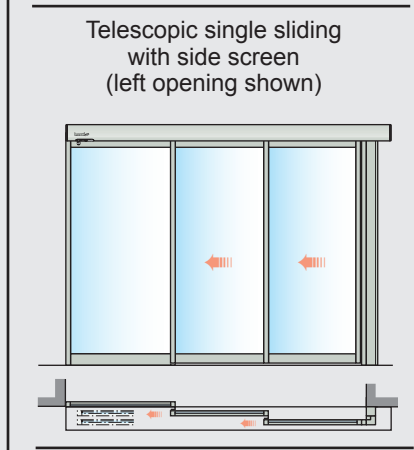
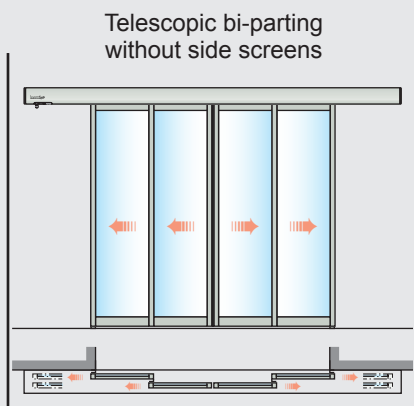
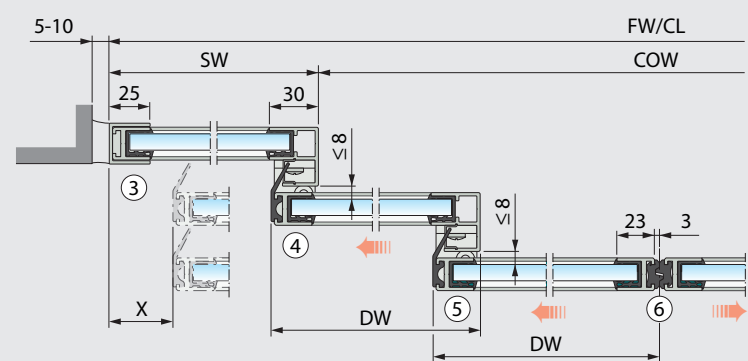
Bi-parting with side screens beam mounted

mm	FHmin	FHmax	FWmin	FWmax
8	2100	3150	1800	6000
10	2100	3150	1800	5300
12	2100	3150	1800	4500

For information about the operator, see UniSlide product sheet.



- FW = Frame width
- FH = Frame height
- CL = Cover length
- COW = Clear opening width
- COH = Clear opening height
- DW = Door leaf width
- DH = Door leaf height
- SW = Side screen width
- X = Safety distance



Technical Data Besam Slim Telescopic

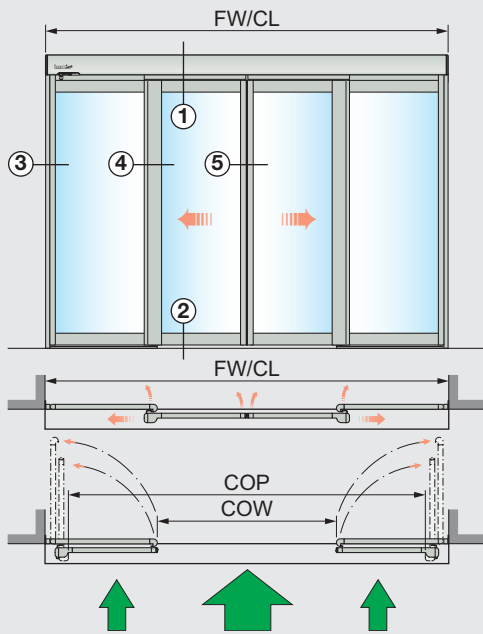
The below measures are formally certified by third party laboratories.
For special applications, other sizes can be delivered on request.

Glass	Single sliding				Single sliding with side screen wall mounted				Single sliding with side screen beam mounted			
	FHmin	FHmax	FWmin	FWmax	FHmin	FHmax	FWmin	FWmax	FHmin	FHmax	FWmin	FWmax
8	1900	3000	1000	2800	1950	3000	1600	4800	2100	3150	1600	4800
10	1900	3000	1000	2570	1950	3000	1600	3920	2100	3150	1600	3920
12	1900	3000	1000	2160	1950	3000	1600	3310	2100	3150	1600	3310

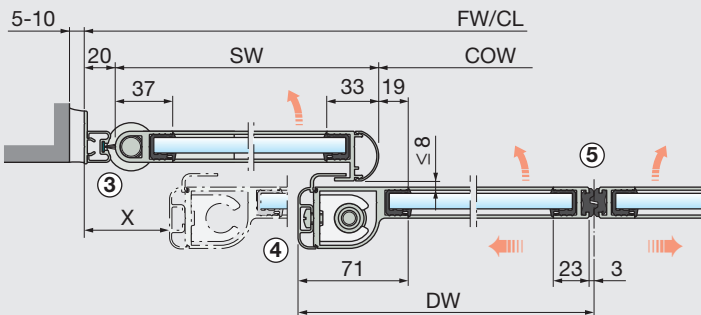
Glass	Bi-parting				Bi-parting with side screens wall mounted				Bi-parting with side screens beam mounted			
	FHmin	FHmax	FWmin	FWmax	FHmin	FHmax	FWmin	FWmax	FHmin	FHmax	FWmin	FWmax
8	1900	3000	1600	3600	1950	3000	2800	5500	2100	3150	2800	5500
10	1900	3000	1600	3600	1950	3000	2800	5500	2100	3150	2800	5500
12	1900	3000	1600	3420	1950	3000	2800	5300	2100	3150	2800	5300

For information about the operator, see UniSlide product sheet.

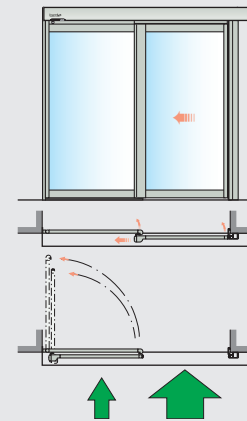
Bi-parting with side screens and break-out, wall mounted



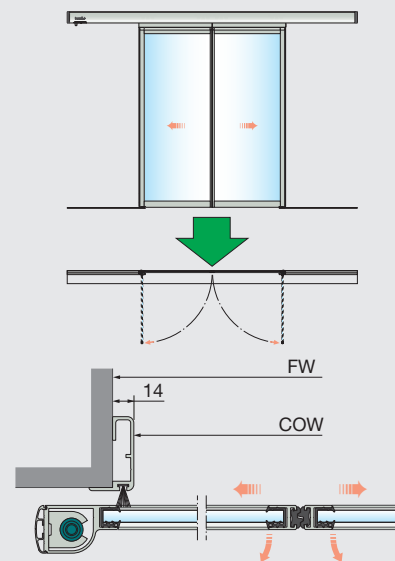
- FW = Frame width
- FH = Frame height
- CL = Cover length
- COW = Clear opening width
- COP = Clear opening, break-out
- COH = Clear opening height
- DW = Door leaf width
- DH = Door leaf height
- SW = Side screen width
- X = Safety distance



Single sliding with side screen and break-out (left opening shown)



Bi-parting without side screens with reverse break-out



Technical Data Besam Slim Break-out Besam Slim Reverse Break-out

The below measures are formally certified by third party laboratories.
For special applications, other sizes can be delivered on request.

Slim Break-out

Glass	Single sliding with side screen wall mounted			
mm	FHmin	FHmax	FWmin	FWmax
8	2000	2500	1950	2670
10	2000	2500	1950	2530
12	2000	2500	1950	2330

Glass	Bi-parting with side screens wall mounted			
mm	FHmin	FHmax	FWmin	FWmax
8	2000	2500	2200	4400
10	2000	2500	2200	4400
12	2000	2500	2200	4400

Slim Reverse Break-out

Glass	Single sliding without side screen wall mounted			
mm	FHmin	FHmax	FWmin	FWmax
8	2000	2500	930	1230
10	2000	2500	930	1200
12	2000	2500	930	1100

Glass	Bi-parting without side screens wall mounted			
mm	FHmin	FHmax	FWmin	FWmax
8	2000	2500	930	2430
10	2000	2500	930	2380
12	2000	2500	930	2180

General Accessories and Options

- Door system:
 - anodized aluminium, colour on request
 - painted in colour according to RAL card
- Glass type:
 - 8, 10 or 12 mm laminated
 - 8 or 10 mm tempered
- Glass finish: green, bronze, opaque
- Overlight (beam mounted only)
- Side screens
- Mechanical floor lock

For information about the operator, see UniSlide product sheet.

Besam Export AB, Box 669, SE-261 25 Landskrona, Sweden
Tel: +46 418 514 00 Fax: +46 418 513 55
export@besam.se • www.besam.com